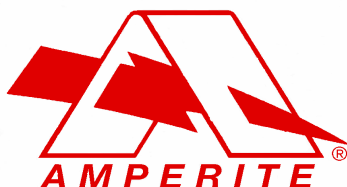


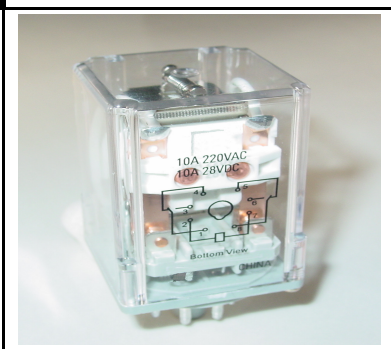
Solving Your Relay Requirements Since 1922



Amperite Co.
 567 52nd Street
 P.O. Box 329
 West New York, NJ 07093
 (800) 752-2329
www.Amperite.com

MP3 - Series

Miniature General Purpose Relays



5A Switching Capabilities

3 Pole Configurations

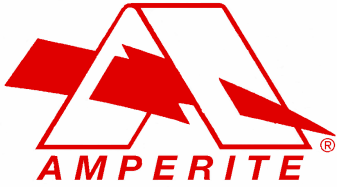
PCB and Plug-In Terminals

Clear See-Thru Dust Cover

SPECIFICATIONS

Contact Material	Silver Alloy		
Contact Resistance	Maximum 50 Milliohms		
Operate Time	Maximum 25 Milliseconds		
Release Time	Maximum 25 Milliseconds		
Insulation Resistance	1000 Megohm Minimum (500 VDC)		
Dielectric Withstanding Voltage	—		
Coil to Contact	1500 VAC (50 / 60 Hz) for 1 Minute		
Between Open Contacts	1000 VAC (50 / 60 Hz) for 1 Minute		
Vibration Resistance	Functional	10 to 55 Hz Double Amplitude of 1.0 mm	
	Destruction	10 to 55 Hz Double Amplitude of 1.0 mm	
Shock Resistance	Functional	10 G's Minimum	
	Destruction	100 G's Minimum	
Life (Minimum Operations)	Mechanical	At 180 CPM	20,000,000
	Electrical	At 20 CPM	200,000
Ambient Temperature	-55° C to +70° C		
Operating Humidity	98% RH @ 40° C		
Unit Weight	37 Grams		

Solving Your Relay Requirements Since 1922



Amperite Co.
 567 52nd Street
 P.O. Box 329
 West New York, NJ 07093
 (800) 752-2329
www.Amperite.com

CONTACT RATINGS

Arrangement	3C
Resistive Load Cos. $\Phi = 1$	3C: 5A 250 VAC / 30 VDC
Maximum Contact Voltage	30 VDC / 250 VAC
Maximum Contact Current	5 A

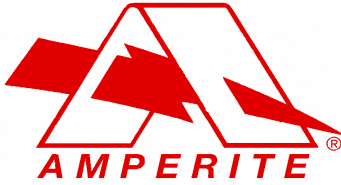
COIL DATA (at 20 °C)

Nominal Voltage	12VDC	120 VAC
Pick-up Voltage VDC (Max.)	9.6VDC	96 VAC
Drop-out Voltage VDC (Min.)	1.2 VDC	36 VAC
Coil Resistance	160 $\Omega \pm 10\%$	4450 $\Omega \pm 10\%$
Power Consumption	0.9 W	2.7 VA
Max. Allowable Voltage	110% of Nominal Voltage	

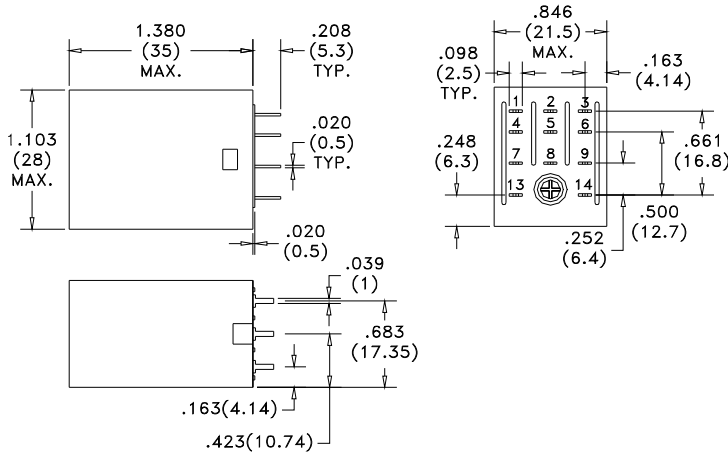
THE AMPERITE PART NUMBERING SYSTEM IS LISTED BELOW. IF YOU DO NOT
 SEE THE NUMBER LISTED THAT YOU NEED, PLEASE CONTACT US. WE CAN
 PROVIDE MOST TYPES OF RELAYS AVAILABLE TODAY.

Part Number	CONTACT ARRANGEMENT	COIL VOLTAGE	TERMINATION
MP3-3C 012D 02	3C = 3 Form C	012D = 12VDC	02 = PCB Mount
MP3-3C 110A 01	3C = 3 Form C	110A = 110VAC	01 = Plug In

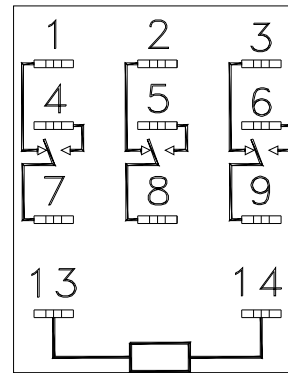
Solving Your Relay Requirements Since 1922



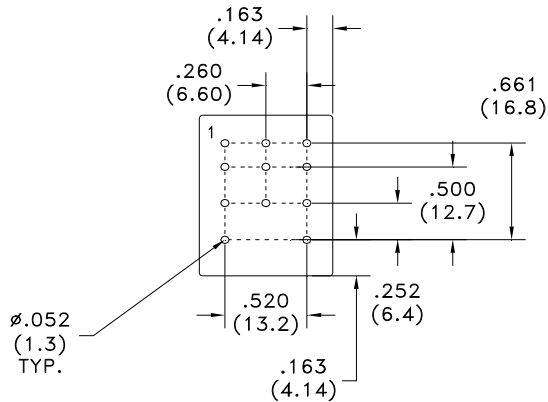
Amperite Co.
 567 52nd Street
 P.O. Box 329
 West New York, NJ 07093
 (800) 752-2329
www.Amperite.com



Outline Dimensions MP3
 3 Pole PCB Mount

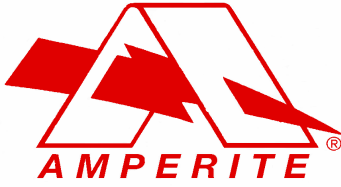


Wiring Diagram

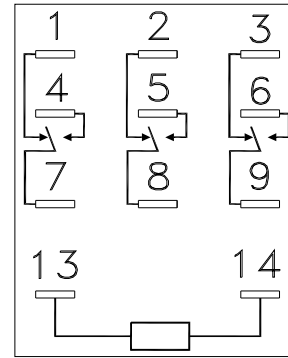
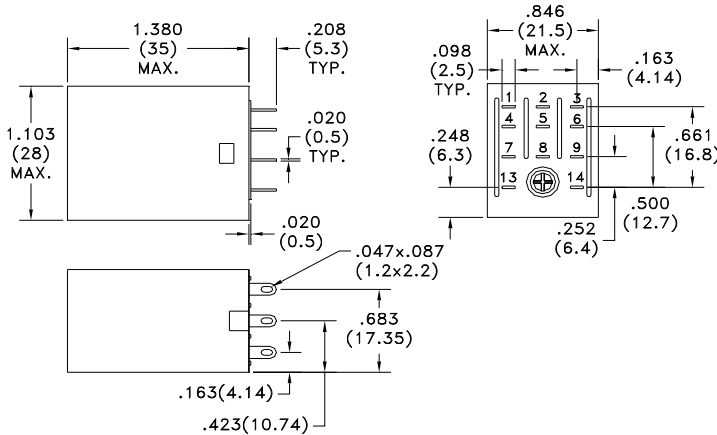


PCB Layout
 MP3 Series

Solving Your Relay Requirements Since 1922

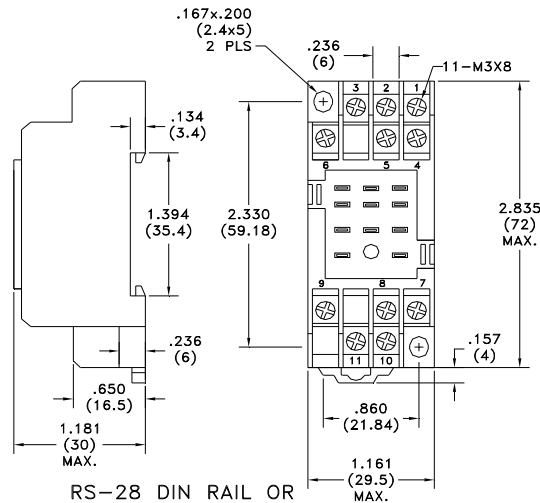


Amperite Co.
 567 52nd Street
 P.O. Box 329
 West New York, NJ 07093
 (800) 752-2329
www.Amperite.com



Outline Dimensions MP3
 3 Pole Plug-In

Wiring Diagram



RS-28 DIN RAIL OR
 SURFACE MOUNT
 SCREW TERMINAL SOCKET