

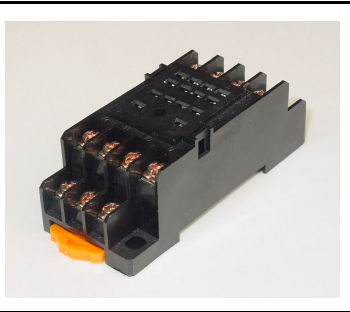
Solving Your Relay Requirements Since 1922



Amperite Co.
567 52nd Street
P.O. Box 329
West New York, NJ 07093
(800) 752-2329
www.Amperite.com

RS-29 - Series

Sockets



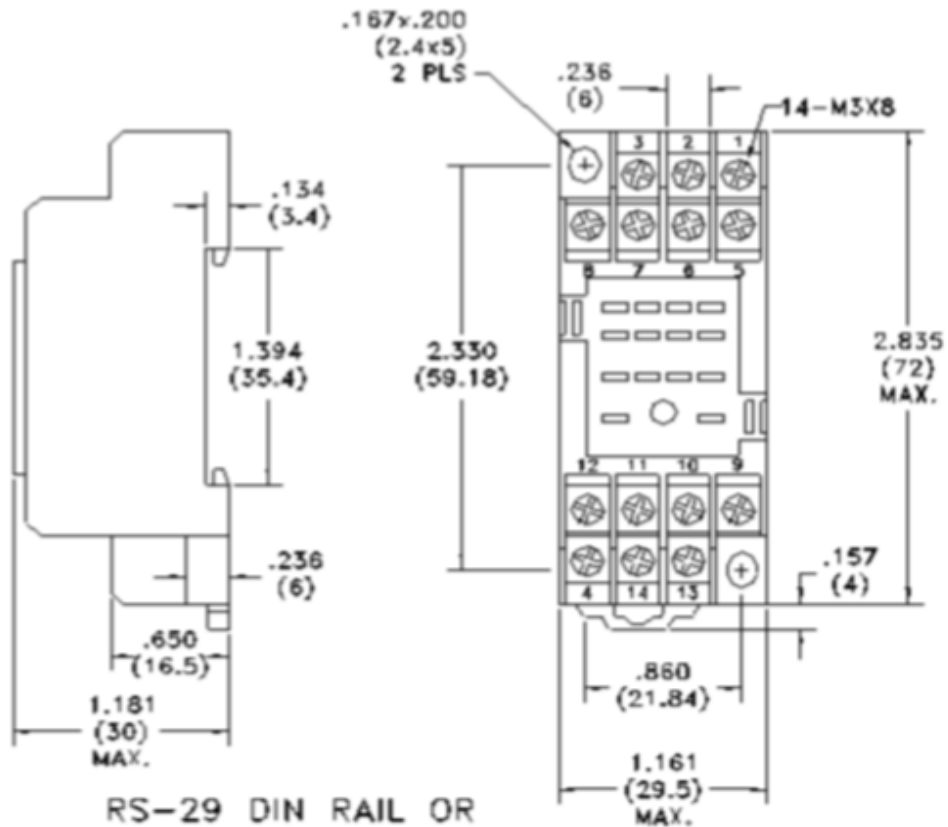
Description

14-Pin Spade Terminal
Din Rail Mounted or
Surface Mount

Applications (Relay Series)

GP1 (4C) - MP1 (4C)

Outline Dimensions



RS-29 DIN RAIL OR
SURFACE MOUNT
SCREW TERMINAL SOCKET